

ALUSLEEK GLAZING

Innovation to Slim Most Verticality

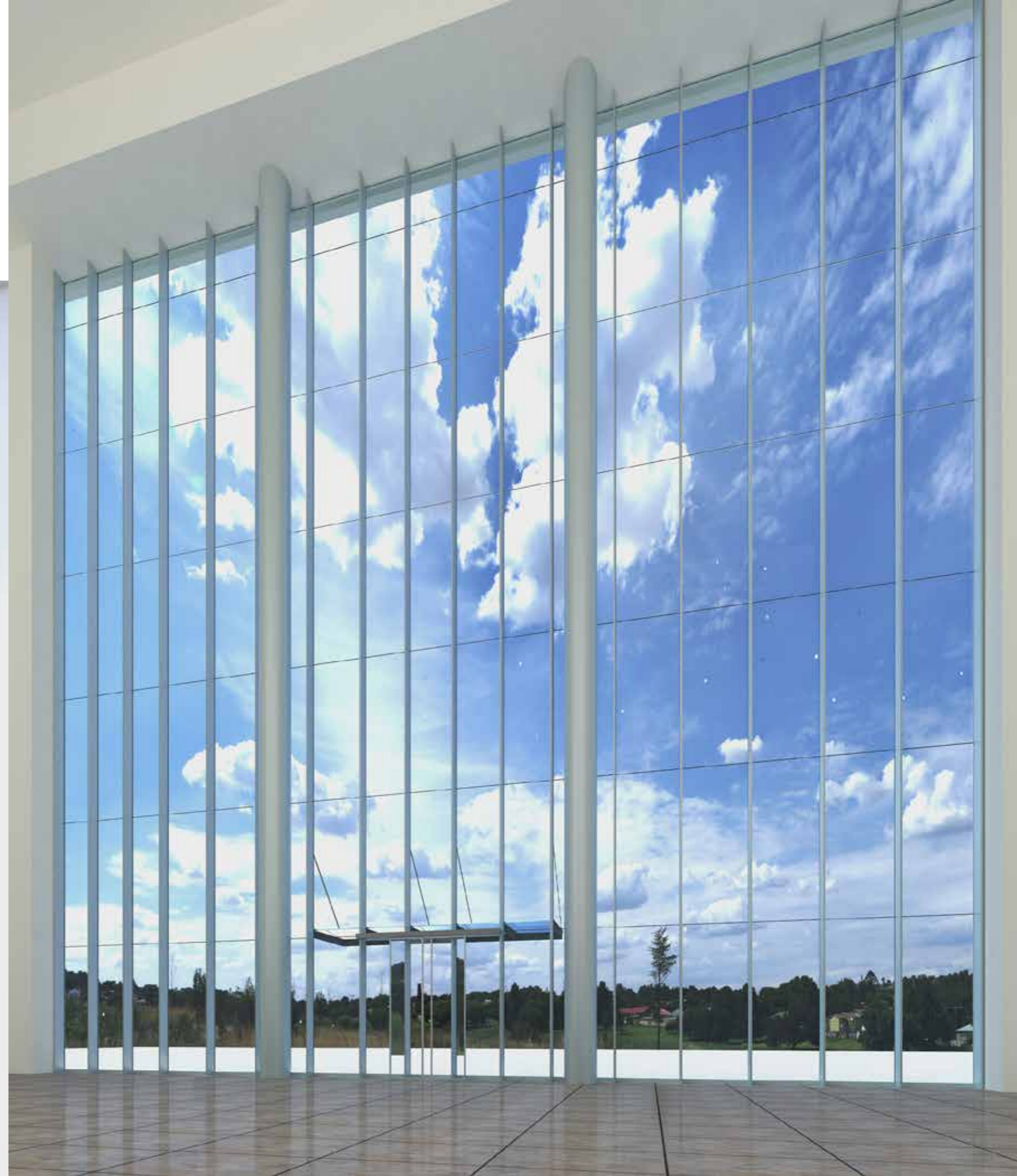
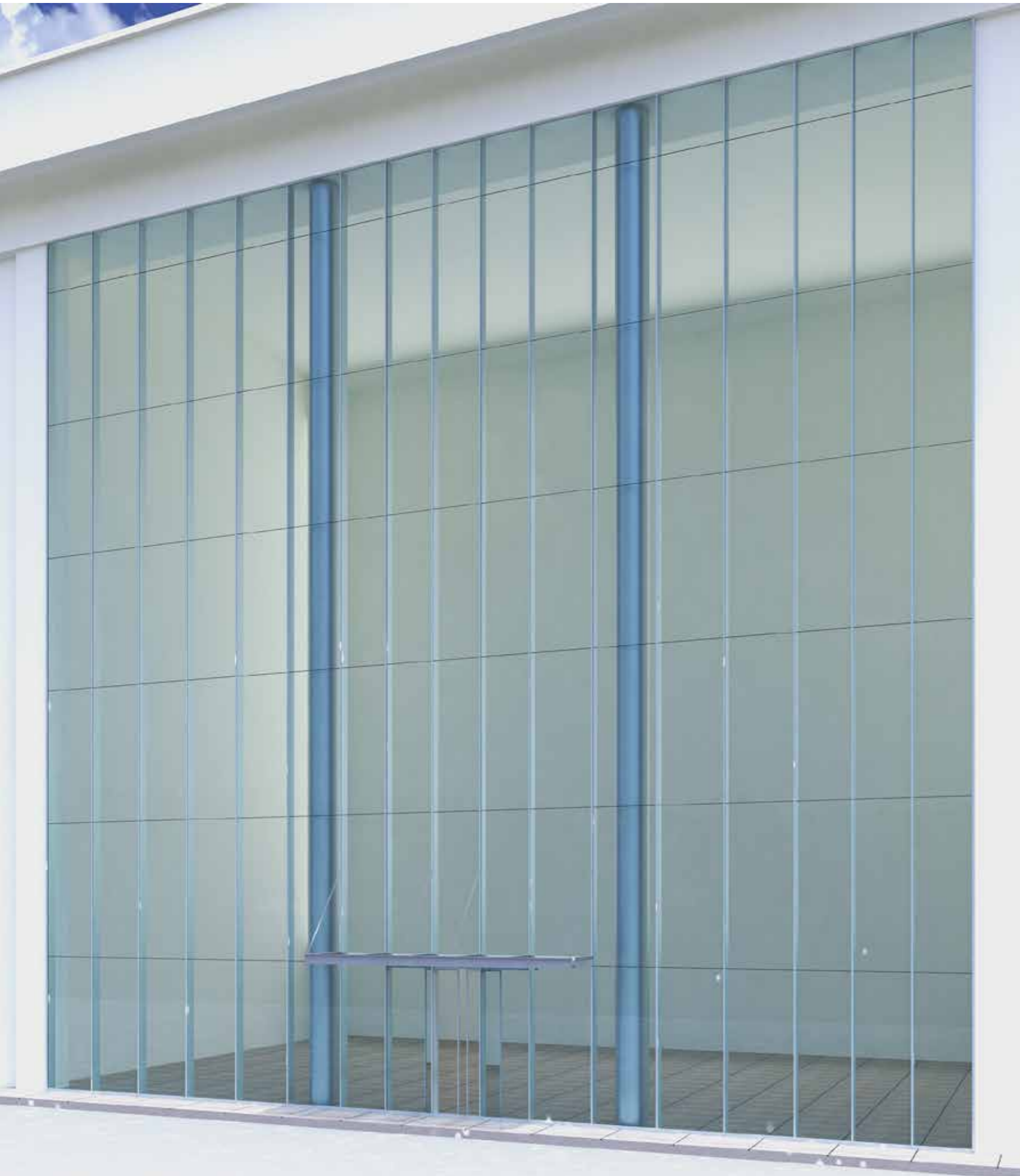


FACADE **ONE**

Innovative Facade Solutions



ALUSLEEK GLAZING



19m tall entrance with canopy application

ALUSLEEK GLAZING



Slim sightline and no steel in 19m tall entrance

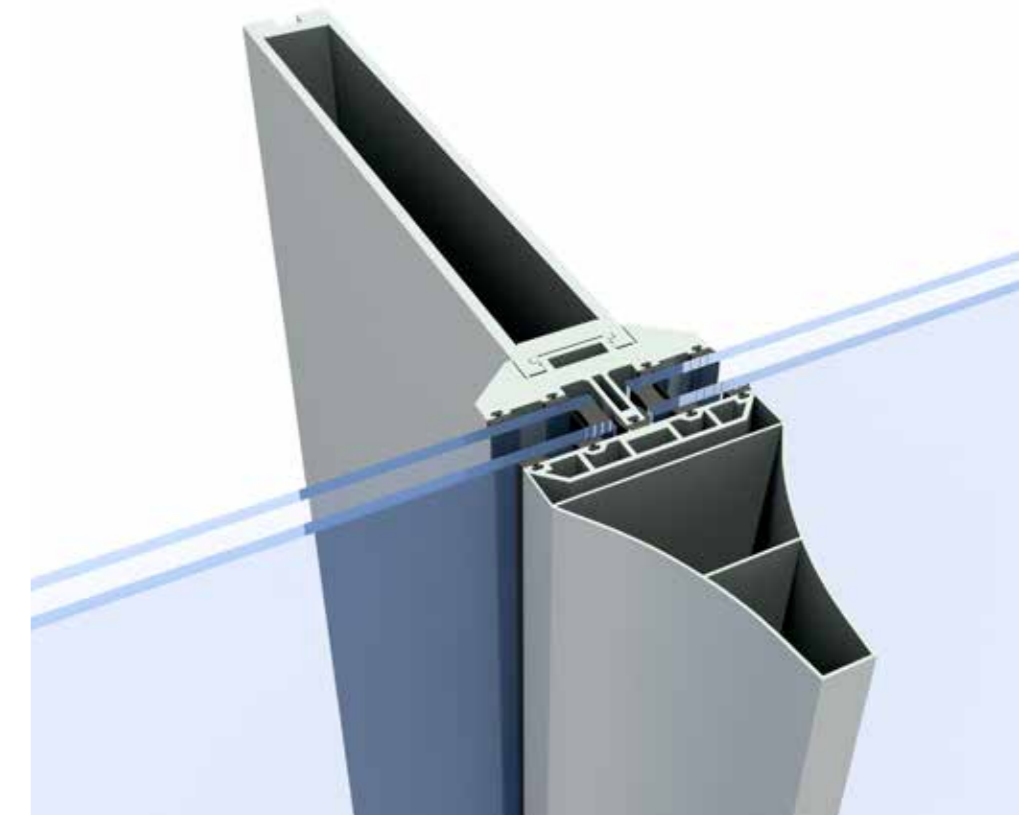
ALUSLEEK



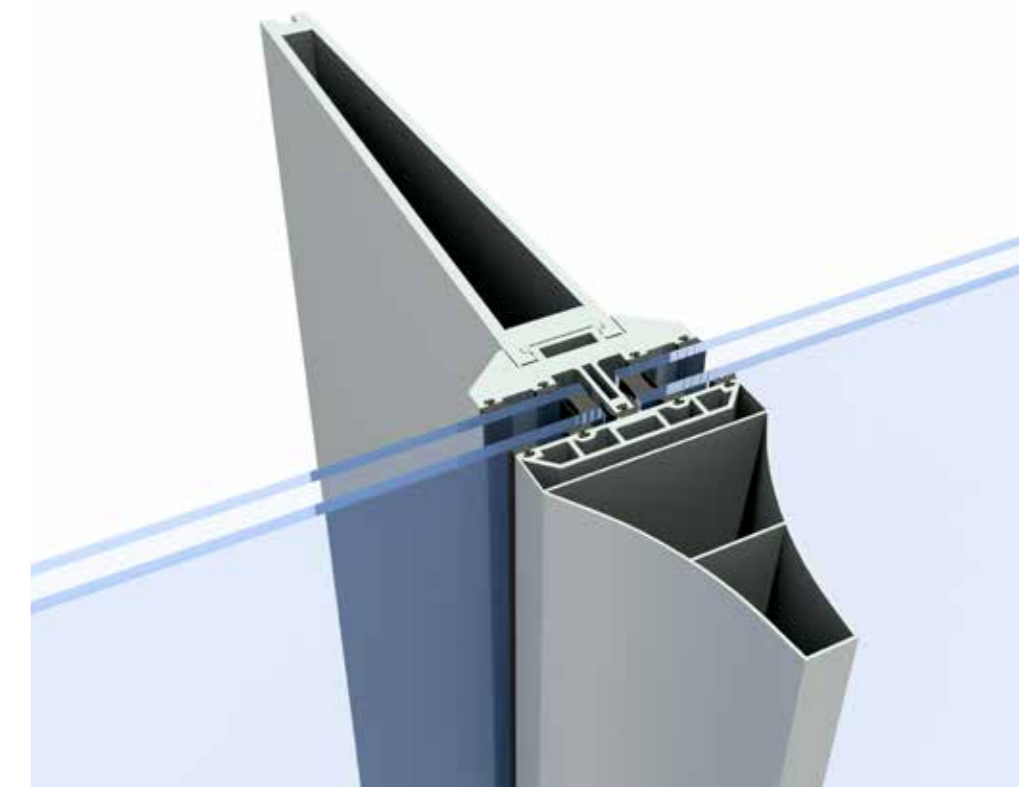
GLASS BOX

ALUSLEEK GLAZING

22m high entrance

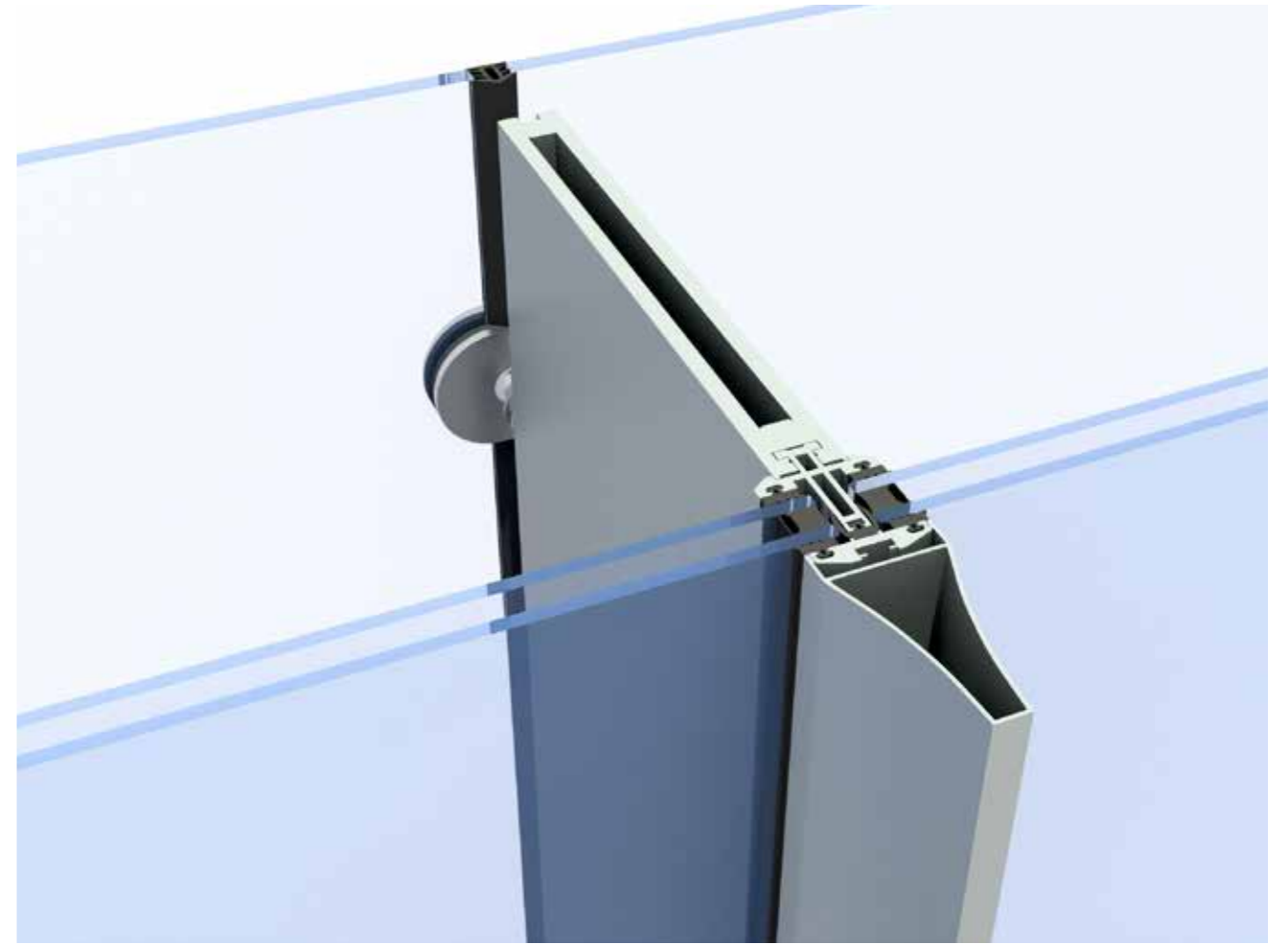
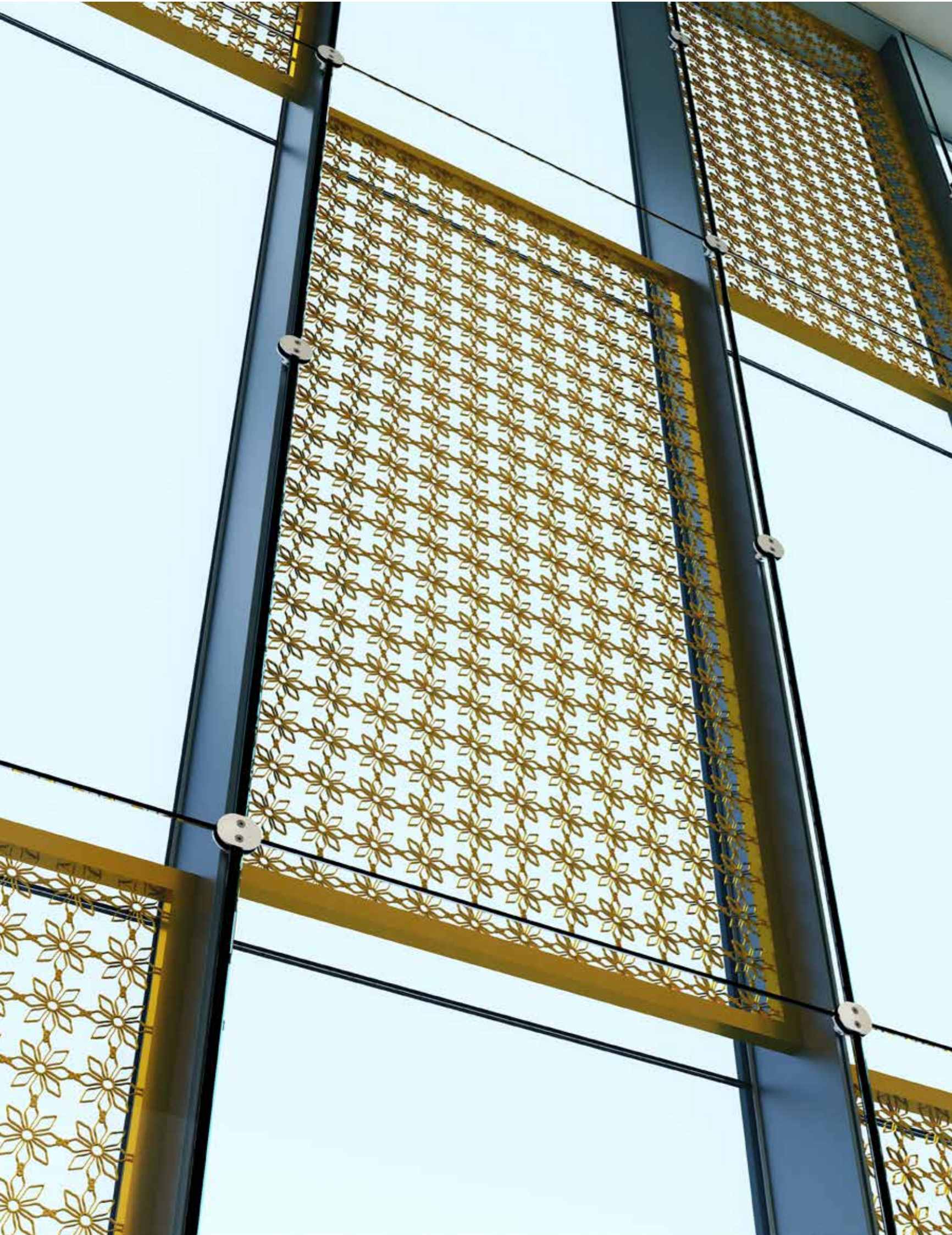


Straight Profile



Tapered Profile

ALUSLEEK DOUBLE SKIN WITH SCREEN

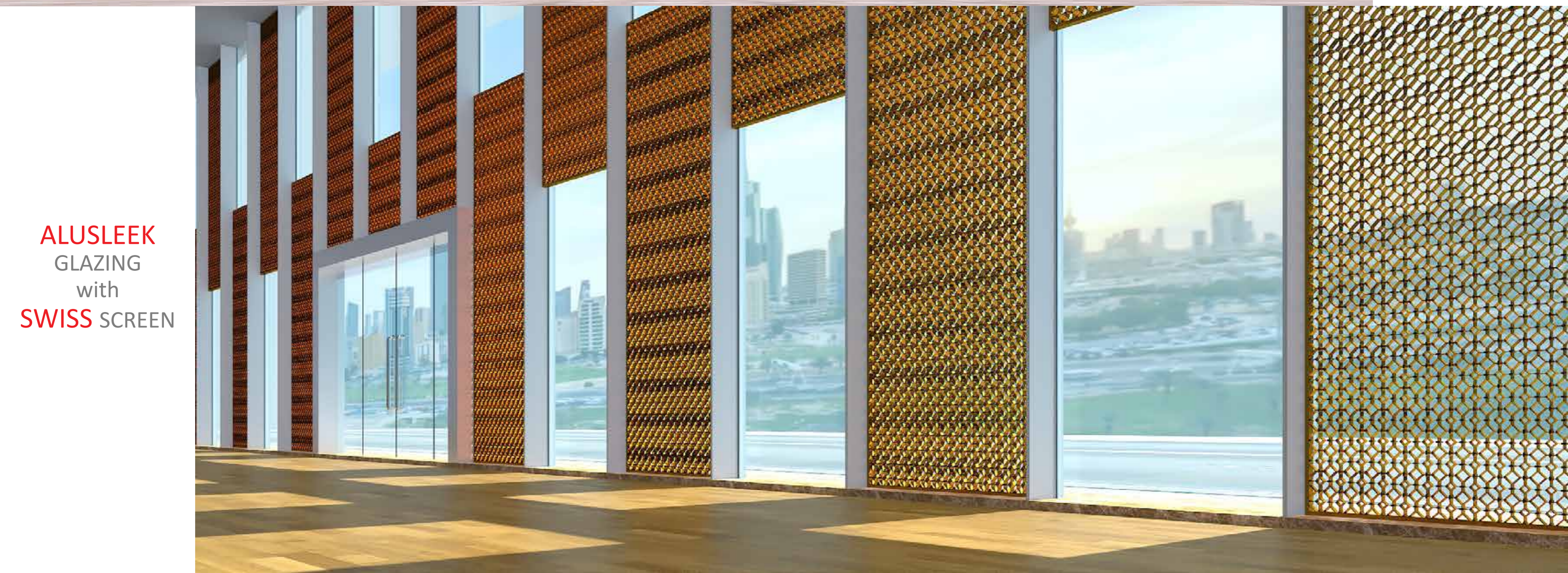


Double Skin Detail





ALUSLEEK
CANOPY

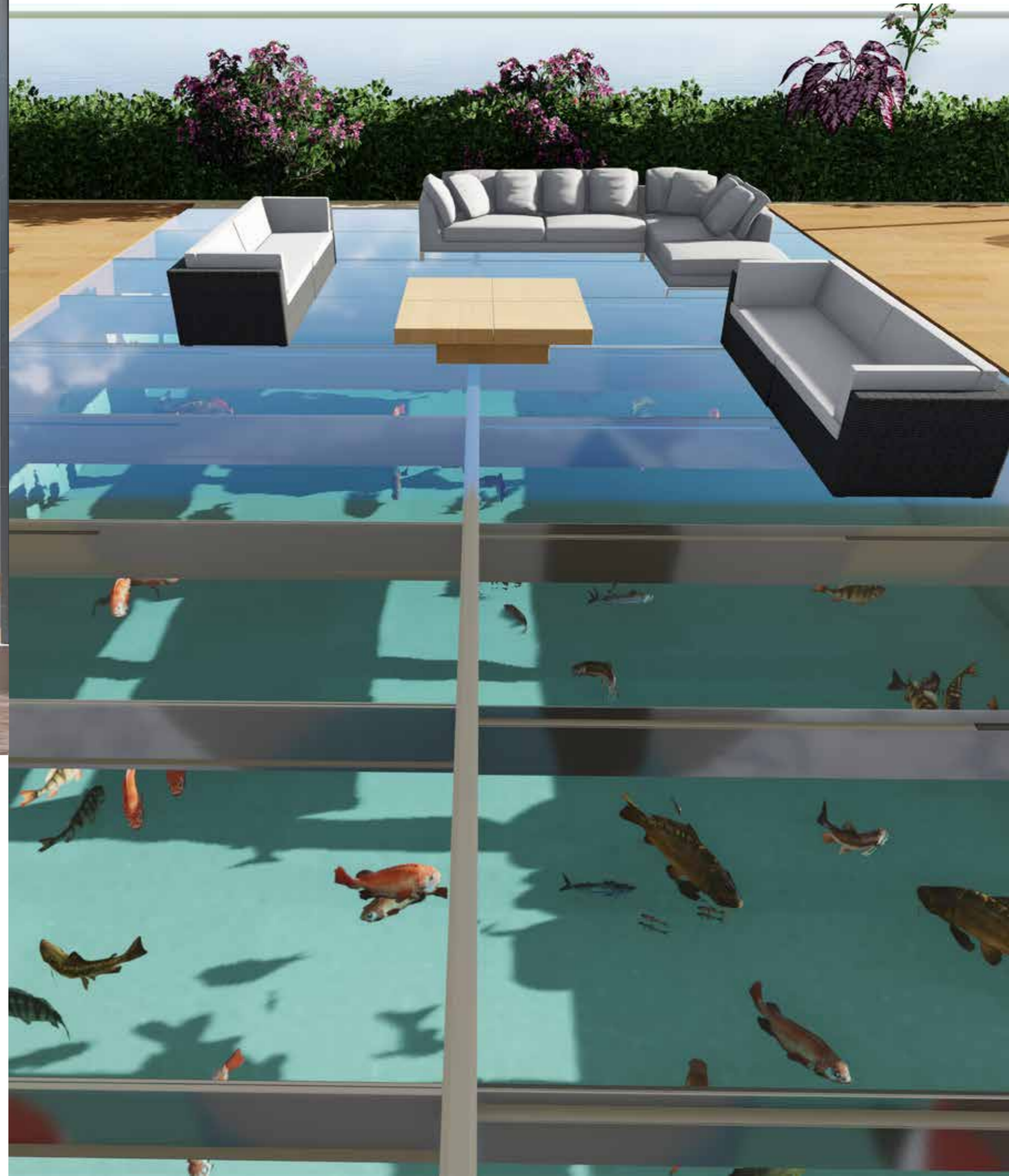


ALUSLEEK
GLAZING
with
SWISS SCREEN



ALUSLEEK
ENTRANCE GLAZING WITH VESTIBULE

ALUSLEEK GLASS FLOOR

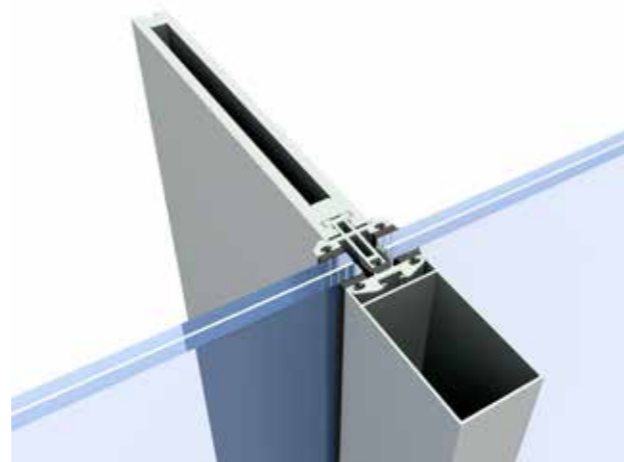


ALUSLEEK ENTRANCE GLAZING

CAP VARIANTS



FLAT CAP



BOX CAP



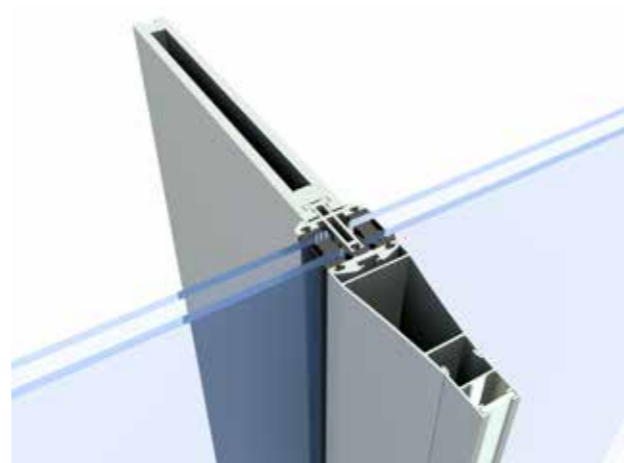
STEP CAP



SSG



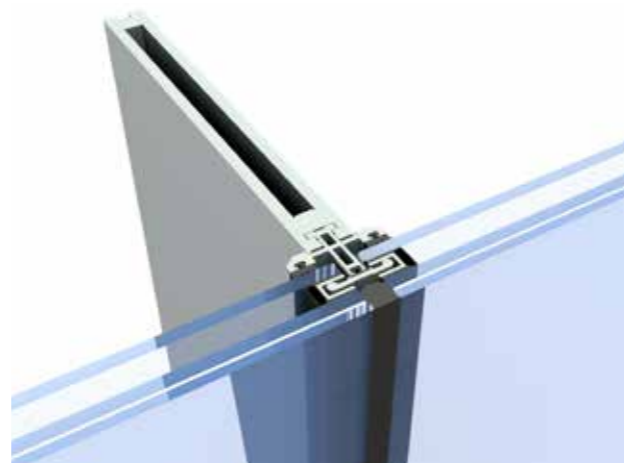
SLEEK CAP



SLEEK LED CAP



COMPRESSION PATCH

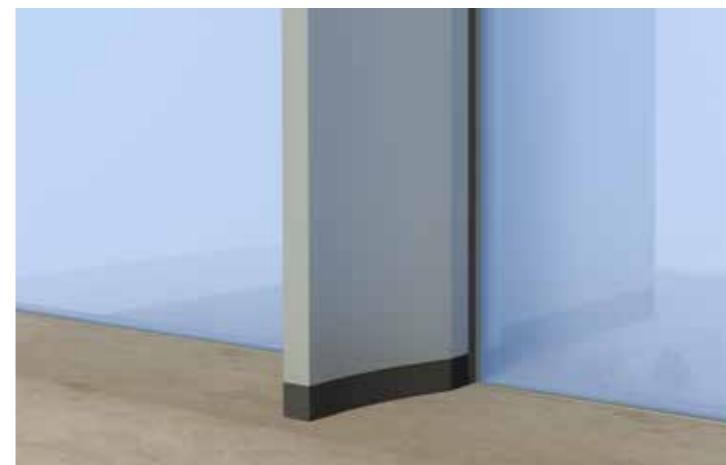


TOGGLE FIXING

ALSO CUSTOMIZED AS PER YOUR REQUIREMENT

ALUSLEEK ENTRANCE GLAZING

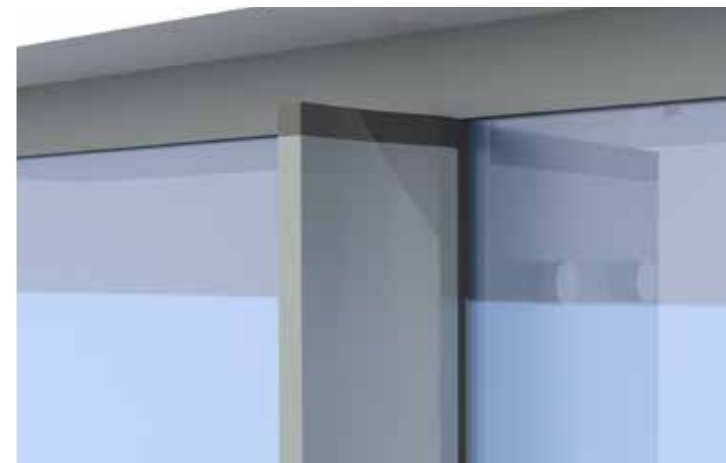
CONNECTION DETAILS



BOTTOM DETAIL



BOTTOM DETAIL



TOP DETAIL



TOP DETAIL

SPECIFICATION

MATERIAL

- Aluminium alloy 6063 and 6061

PERFORMANCE

- Wind Load 1 KPa – 2 KPa
- Water Performance 600 pa – 1000 pa
- Air Performance 600 pa – 1000 pa

HEIGHT

- All heights
- Glazing span of 22 m with no horizontal member

INNOVATION & DIFFERENTIATION

- Innovation to slim most verticality

FINISHES

- PVDF – AAMA 2605 (35 Microns)
- SDF – AAMA 2604 (60-80 Microns)
- ANODISED – ASTM / BS (22 – 25 Microns)

SYSTEMS

- | | | |
|---------|---------|---------|
| • 30150 | • 30200 | • 30250 |
| • 30300 | • 50300 | • 50350 |
| • 50400 | • 70500 | |



FACADE **ONE**
Systems Pvt Ltd.